

HES240 Ventis Wood Stove

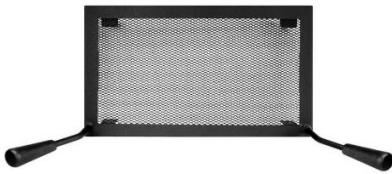
VB00016



Key Features

- Large size wood stove on pedestal
- EPA certified at only 1.54 g/h
- Includes Ash Pan
- Non-catalytic combustion technology
- Cast iron door
- Heating Area (500 - 2,100 sq. ft.)
- Firebox Size 2.4 sq. ft.
- Maximum Burn Time 8 hours
- Maximum Output 75,000 BTU/h
- Optimum Efficiency 77%
- Recommended Log length 20 inches
- Flue Size 6 inches
- Minimum Flue Height 12 ft. from top of stove
- Mobile Home Approved
- Alcove Installation Approved

Options



AC01315 Rigid Screen

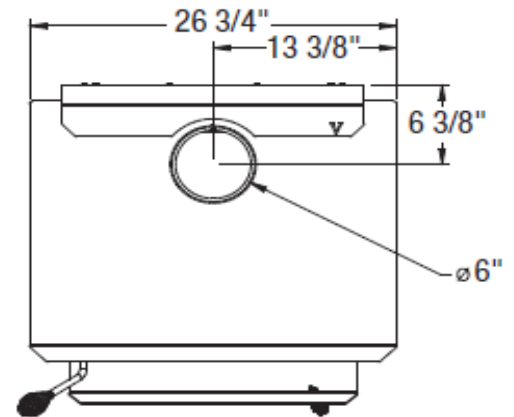
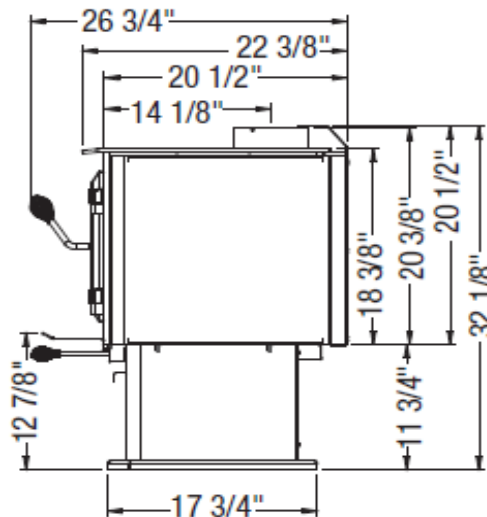
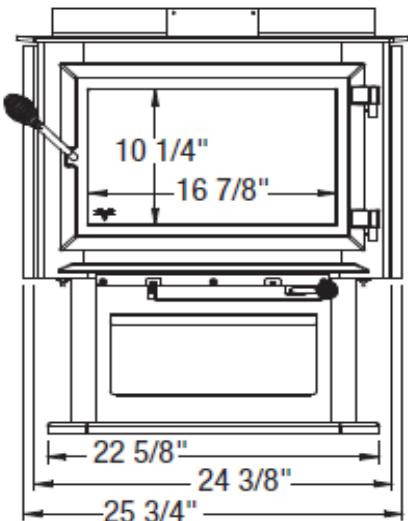


AC01000 Thermostat Blower



AC01336 Fresh Air Kit

Specifications



HES240 Ventis Wood Stove

FEATURES

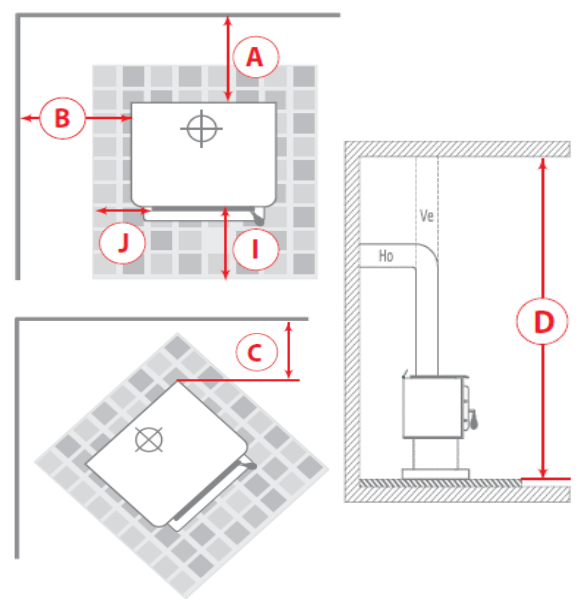
COLOR	Black
BURN TIME (ON LOW SETTING)	8 hours
COMBUSTION TECHNOLOGY	Non-catalytic
RECOMMENDED HEATING AREA (1)	500 - 2,100 ft ²
HEATING CAPACITY - BTU/h, EPA TEST LOAD	28,600 BTU/h
HEATING CAPACITY - BTU/h, SEASONED CORD WOOD	75,000 BTU/h
EMISSIONS (EPA)	1.54 g/h
OPTIMUM EFFICIENCY	77%
DOOR OPENING DIMENSIONS (W X H)	17 1/2" x 9"
FIREBOX DIMENSIONS (W X D)	21" x 17 1/8"
FIREBOX VOLUME	2.4 ft ³
GLASS VIEWING AREA (W X H)	16 7/8" x 10 1/4"
DOOR TYPE	Single, glass with cast iron frame 20"
MAXIMUM LOG LENGTH	20"
LOG POSITIONING	Over width
FLUE COLLAR DIAMETER	6"
GLASS TYPE	Ceramic glass
ASH DRAWER WITH SAFETY LID	Yes
MOBILE HOME APPROVED (2)	Yes
APPROVED FOR AN ALCOVE INSTALLATION	Yes
WARRANTY	Limited lifetime

EXTERIOR DIMENSIONS AND WEIGHT

WIDTH	26 3/4"
DEPTH	26 3/4"
HEIGHT	32 1/8"
WEIGHT	385 lb.

CLEARANCES FROM UNIT TO COMBUSTIBLE MATERIALS

WITH SINGLE WALL PIPE (3)	(USA)
A - BACK	11"
B - SIDES	16"
C - CORNERS	10"
D - CEILING (4)	84"
WITH DOUBLE WALL PIPE	(USA)
A - BACK	6"
B - SIDES	16"
C - CORNERS	7"
D - CEILING (4)	84"
MINIMUM FLOOR PROTECTION IN FRONT OF UNIT	16"



(1) Recommended heating area and maximum burn time may vary subject to location in home, chimney draft, heat loss factors, climate, fuel type and other variables. The recommended heated area for a given appliance is defined by the manufacturer as its capacity to maintain a minimum acceptable temperature in the designated area in case of a power failure. (2) Fresh air intake kit required. (3) Consult local code for minimum clearances of the single wall pipe itself to combustibles. See also the venting manufacturer's instructions. (4) Measured from the base of the appliance. Some appliances have been tested with a low ceiling. Before setting up your unit, refer to the installation manual.

Technical data contained in this brochure are for reference only. Any installation must be done according to the data and drawings detailed in the owner's manual